

# Video Brief # 4

## Installation of a Bifold Door

1 800.567.2931  
T 819.535.5588  
F 819.535.1104

**M**  
**Milette**  
*portes·doors*

www.portesmilette.com

### You will need :

- Drill
  - Hammer
  - Star head screwdriver
- ➔ Also plan the necessary tooling to fasten the pivot hinge anchor to the floor (ceramic or concrete bit, as needed)

### Content of the hardware bag :

1. Sliding guide
2. Anchor for the adjustable pivot hinge
3. Pivot spring hinge (top of the door) X 2
4. Adjustable pivot hinge (bottom of the door)
5. Alignment device (bracket) – if double door
6. Handle
7. Button-head bolt
8. 1 1/2" (3.8 cm) button-head screw X 3
9. 1 1/2" (3.8 cm) countersunk screw X 2
10. 5/8" (2 cm) button-head screw X 2

### Miscellaneous :

11. Rail
12. Support for the top pivot hinge (included with the rail)

### The steps :

Before starting the installation of a bifold door, make sure the dimension of the finished opening corresponds to the door size. The actual dimension of bifold doors is always 1/2" smaller in width than the ordered size (for example: an order for a 30" bifold door will be manufactured at 29 1/2") to include the opening clearance necessary to the proper operation of doors. The width of the finished opening thus corresponds to the door width to be ordered. In height, however, the bifold door must be 1 1/2" shorter than the finished opening. This space is necessary to both the opening clearance and installation of hardware (rail and pivot hinges).

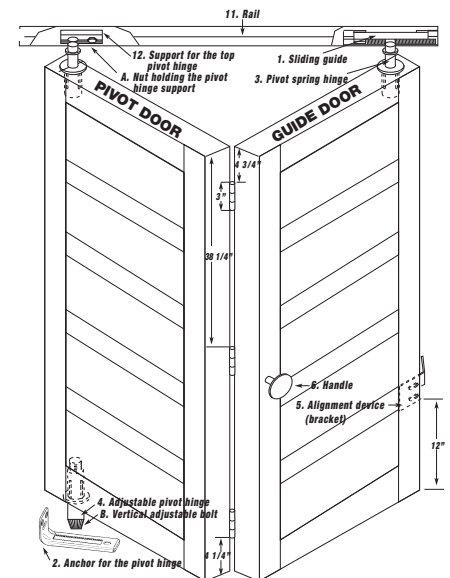
#### 1. Installation of the anchor of the adjustable pivot hinge

Fasten the anchor of the adjustable pivot hinge to the floor and its vertical section to the frame using the 1 1/2" (3.8 cm) countersunk screws.

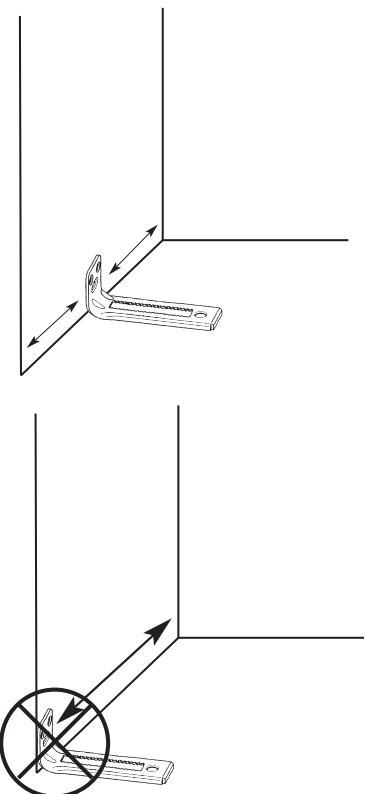
Plan sufficient clearance between the frame edge and the anchor to ensure that, once installed, the door does not exceed the frame (see figure 2).

**FIGURE 1**

Refer to the end of this document for details



**FIGURE 2**



# Video Brief # 4

## Installation of a Bifold Door

1 800.567.2931  
T 819.535.5588  
F 819.535.1104

**M**  
**Milette**  
*portes·doors*

www.portesmilette.com

**FIGURE 3**

### 2. Installation of the rail and sliding guide

Insert the top pivot hinge support into the rail and fasten the rail to the top frame using the 1 1/2" (3.8 cm) button-head screws.

Make sure the top pivot hinge support is perfectly aligned with the anchor of the adjustable pivot hinge (see figure 3).

Engage the sliding guide into the rail.

### 3. Installation of the pivot spring hinges and adjustable pivot hinge

Using a hammer, bang in two pivot spring hinges into their holes, at the top of the doors. One must be inserted into the pivot door (the stationary one) and the other into the guiding door (the one with the sliding guide).

Bang in the adjustable pivot hinge at the bottom of the door using the same procedure.

\*\*\* Warning: the adjustable pivot must mandatorily be installed at the bottom of the door, while pivot spring hinges must be installed at the top of the door. \*\*\*

### 4. Installation of doors

Partly lift the folded doors in the opening.

Insert the first top pivot hinge into the pivot support, while inserting the second one into the sliding guide.

Lower the doors so that the bottom pivot hinge (the one with the vertical adjustable bolt) inserts itself into the anchor.

Make sure that the head of the vertical adjustable bolt is properly inserted into the anchor hole of the adjustable pivot hinge.

### 5. Horizontal and vertical door adjustment

Align the bottom of the door by lifting it in order to free the adjustable pivot hinge from the anchor.

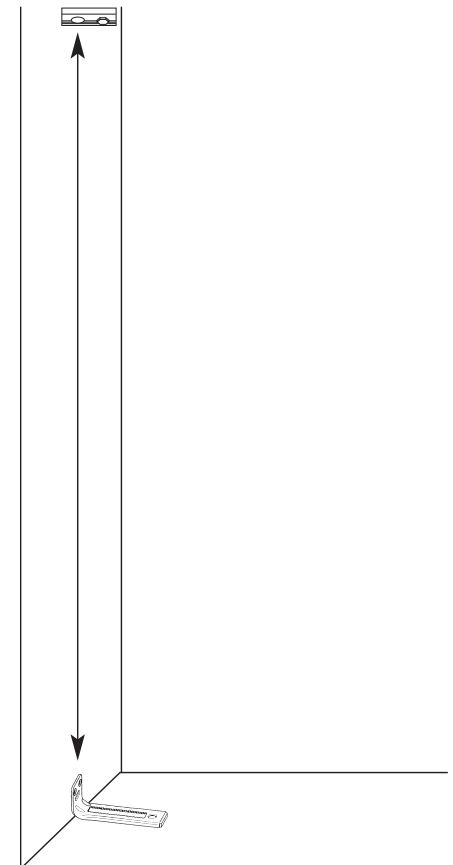
Release the vertical pressure to allow the re-engagement of the adjustable pivot hinge teeth into the anchor.

Align the top of the door by moving the top pivot hinge support. To do so, unscrew the nut (A) holding the support.

Move the pivot hinge support to the desired position and tighten the nut (A) again.

Make sure that the doors are levelled before tightening the nut (A) again.

For a vertical alignment, lift the door to free the bottom pivot hinge from the support and turn (screw or unscrew) the vertical adjustable bolt (B) to lower or raise the door.



# Video Brief # 4

## Installation of a Bifold Door

1 800.567.2931  
T 819.535.5588  
F 819.535.1104

**M**  
**Milette**  
*portes·doors*

www.portesmilette.com

### 6. Installation of the handle

Drill a 5/32" hole in the desired location. To avoid any splitting, the chosen emplacement will have to measure more than 2 inches on width and height.

Fasten the handle using the 1 3/4" button-head bolt.

### 7. Installation of brackets (for double doors only)

Fasten the alignment devices (brackets) at the back of the two guiding doors using the 5/8" (2 cm) button-head screws.

Adjust the brackets towards the inside or outside until the doors engage themselves.

Tighten the screws again.

## Finishing :

For a more aesthetic look, it is possible to conceal the rail with a finishing moulding.

**FIGURE 1**

