

Installation

Installation of a Single Door Unit

1 800.567.2931
T 819.535.5588
F 819.535.1104

M
Millette
portes·doors

www.portesmillette.com

Above all, we recommend that you paint, stain or varnish your door before installing it. It is a lot easier to apply a finishing product on a surface lying on the flat and you reduce the risks of seeing runs on the length of your door. Refer to our section entitled «Handling and Care» for instructions.

1. Please inspect the merchandise. Make sure it is in good condition and that you have all necessary parts. You must have one door, two frame sides with stoppers as well as the frame head with a stopper.
2. Measure the rough opening where the single unit will be installed. We recommend that the opening width and height exceed the door by 2" (5 cm). Make sure the floor is levelled.
3. Assemble the door frame (head and sides) on the floor using stoppers as a reference point (see figure 1). Either use # 8 screws or 1 1/2" to 2" (3.8 cm to 5 cm) finishing nails. Make sure the door is installed inside the frame so the glass pattern is on the right side before completing the assembly.
4. Slide the assembled frame in the opening and insert three wood shims on each side to firmly jam it. Hit the shims lightly with a hammer until the level indicates the frame is square. Leave a clearance of 3/8" (1 cm) around the frame to allow enough movement. Make sure the frame is centered in the opening and flush with the wall surface of the room into which the door will open (see figure 2).
5. Hammer or screw the frame to the wall through the shims placed on each side of the frame, starting on the hinge side (see figure 2). Use # 8 screws or 1 1/2" to 2" (3.8 cm to 5 cm) finishing nails.
6. Place the door on its hinges and insert the hinge pins in each location.
7. Level the frame on the handle side using wood shims and make sure to leave a clearance of 1/8" (0.3 cm) between the door and the frame by opening and closing the door. Fasten this side of the frame and then the head, in compliance with instructions given in step # 5.
8. Cut the excess shim using a utility knife. Make sure the knife stays in a vertical position when cutting to prevent damaging the frame or the wall.
9. You can then proceed to the installation of your handle and finishing mouldings (not supplied).

FIGURE 1

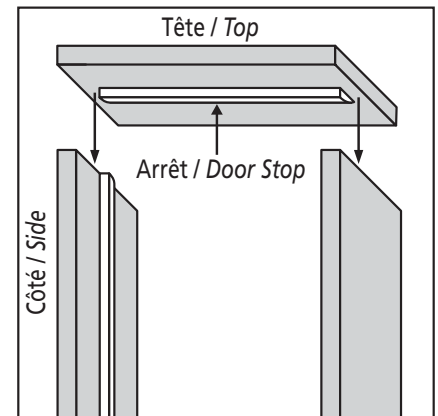
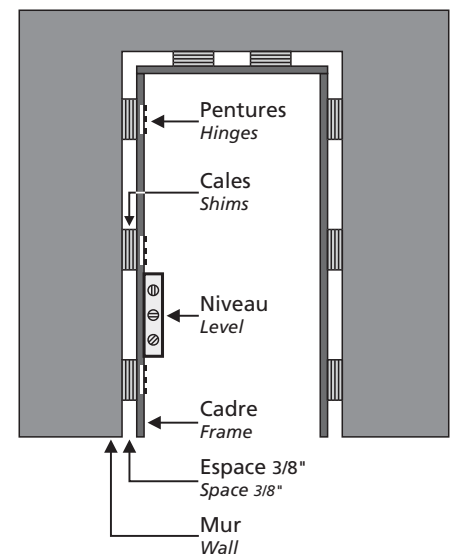


FIGURE 2



Installation

Installation of a Double Door Unit

1 800.567.2931
T 819.535.5588
F 819.535.1104

Millette
portes·doors

www.portesmillette.com

Above all, we recommend that you paint, stain or varnish your doors before installing them. It is a lot easier to apply a finishing product on a surface lying on the flat and you reduce the risks of seeing runs on the length of your doors. Refer to our section entitled «Finishing» for instructions.

1. Please inspect the merchandise. Make sure it is in good condition and that you have all necessary parts. You must have two doors, two frame sides with stoppers as well as the frame head with a stopper.
2. Measure the rough opening where the double door unit will be installed. We recommend that the opening width and height exceed the measurement of both doors by 2" (5 cm). Make sure the floor is levelled.
3. Assemble the door frame (head and sides) on the floor using stoppers as a reference point (see figure 1). Either use # 8 screws or 1 1/2" to 2" (3.8 cm to 5 cm) finishing nails. Make sure the doors are installed inside the frame so the glass pattern is on the right side before completing the assembly.
4. Slide the assembled frame in the opening and insert three wood shims on each side to firmly jam it. Install shims at hinge height. Hit the shims lightly with a hammer until the level indicates the frame is square. Leave a clearance of 3/8" (1 cm) around the frame to allow enough movement. Make sure the frame is centered in the opening and flush with the wall surface of the room into which the doors will open (see figure 2).
5. Hammer or screw the frame to the wall through the shims placed on each side of the frame (see figure 2). Only do one side at a time. Use # 8 screws or 1 1/2" to 2" (3.8 cm to 5 cm) finishing nails.
6. Place the doors on their hinges and insert the hinge pins in each location.
7. Regularly verify that everything is still levelled and that there is a clearance of 1/8" (0.3 cm) between the door and the frame by opening and closing the door. When everything is square, fasten the frame head, in compliance with instructions given in step # 5.
8. Cut the excess shim using a utility knife. Make sure the knife stays in a vertical position when cutting to prevent damaging the frame or the wall.
9. You can then proceed to the installation of your handle and finishing mouldings (not supplied).

FIGURE 1

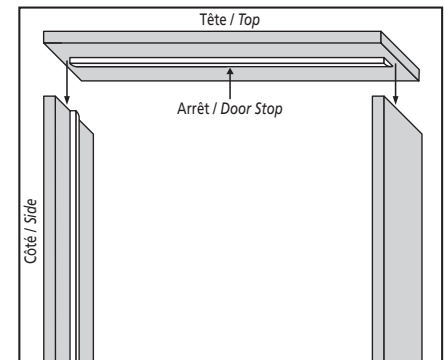
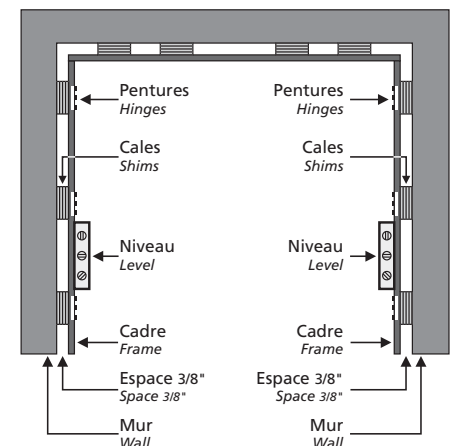


FIGURE 2



Installation

Installation of a Bifold Door

1 800.567.2931
T 819.535.5588
F 819.535.1104

M
Milette
portes·doors

www.portesmilette.com

Before starting the installation of a bifold door, make sure the dimension of the finished opening corresponds to the door size. The actual dimension of bifold doors is always 1/2" smaller in width than the ordered size (for example: an order for a 30" bifold door will be manufactured at 29 1/2") to include the opening clearance necessary to the proper operation of doors. The width of the finished opening thus corresponds to the door width to be ordered. In height, however, the bifold door must be 1 1/2" shorter than the finished opening. This space is necessary to both the opening clearance and installation of hardware (rail and pivot hinges).

1. Installation of the anchor of the adjustable pivot hinge

Fasten the anchor of the adjustable pivot hinge to the floor and its vertical section to the frame using the 1 1/2" (3.8 cm) countersunk screws.

Plan sufficient clearance between the frame edge and the anchor to ensure that, once installed, the door does not exceed the frame (see figure 2).

2. Installation of the rail and sliding guide

Insert the top pivot hinge support into the rail and fasten the rail to the top frame using the 1 1/2" (3.8 cm) button-head screws.

Make sure the top pivot hinge support is perfectly aligned with the anchor of the adjustable pivot hinge (see figure 3).

Engage the sliding guide into the rail.

3. Installation of the pivot spring hinges and adjustable pivot hinge

Using a hammer, bang in two pivot spring hinges into their holes, at the top of the doors. One must be inserted into the pivot door (the stationary one) and the other into the guiding door (the one with the sliding guide).

Bang in the adjustable pivot hinge at the bottom of the door using the same procedure.

*** Warning: the adjustable pivot must mandatorily be installed at the bottom of the door, while pivot spring hinges must be installed at the top of the door. ***

4. Installation of doors

Partly lift the folded doors in the opening.

Insert the first top pivot hinge into the pivot support, while inserting the second one into the sliding guide.

Lower the doors so that the bottom pivot hinge (the one with the vertical adjustable bolt) inserts itself into the anchor.

Make sure that the head of the vertical adjustable bolt is properly inserted into the anchor hole of the adjustable pivot hinge.

FIGURE 1

refer to the end of this document for details

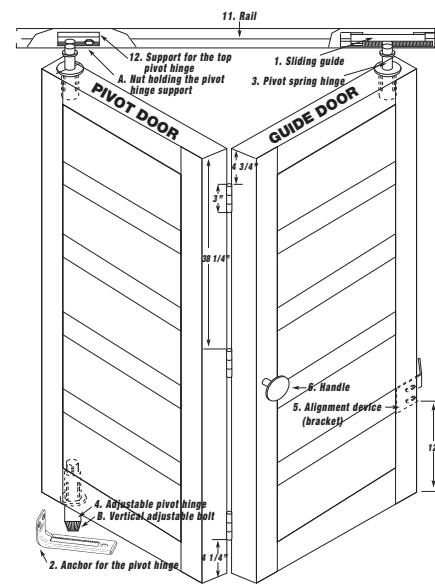
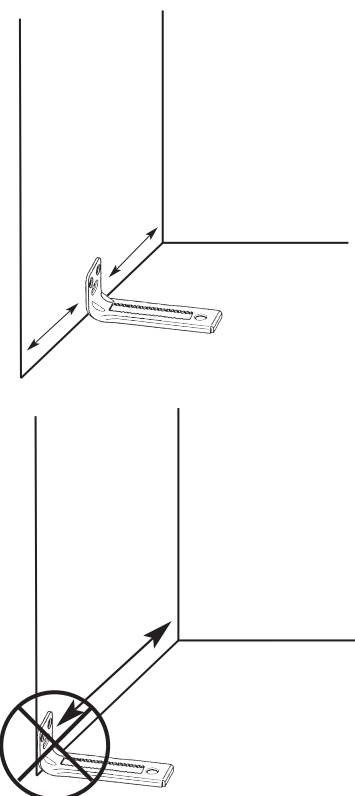


FIGURE 2



Installation

Installation of a Bifold Door

1 800.567.2931
T 819.535.5588
F 819.535.1104

M
Milette
portes·doors

www.portesmilette.com

5. Horizontal and vertical door adjustment

Align the bottom of the door by lifting it in order to free the adjustable pivot hinge from the anchor.

Release the vertical pressure to allow the re-engagement of the adjustable pivot hinge teeth into the anchor.

Align the top of the door by moving the top pivot hinge support. To do so, unscrew the nut (A) holding the support.

Move the pivot hinge support to the desired position and tighten the nut (A) again.

Make sure that the doors are levelled before tightening the nut (A) again.

For a vertical alignment, lift the door to free the bottom pivot hinge from the support and turn (screw or unscrew) the vertical adjustable bolt (B) to lower or raise the door.

6. Installation of the handle

Drill a 5/32" hole in the desired location. To avoid any splitting, the chosen emplacement will have to measure more than 2 inches on width and height.

Fasten the handle using the 1 3/4" button-head bolt.

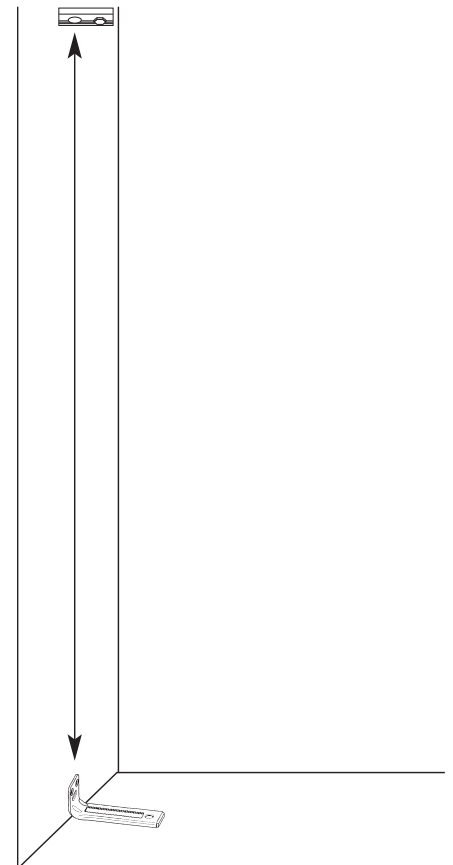
7. Installation of brackets (for double doors only)

Fasten the alignment devices (brackets) at the back of the two guiding doors using the 5/8" (2 cm) button-head screws.

Adjust the brackets towards the inside or outside until the doors engage themselves.

Tighten the screws again.

FIGURE 3



Finishing :

For a more aesthetic look, it is possible to conceal the rail with a finishing moulding.

Installation

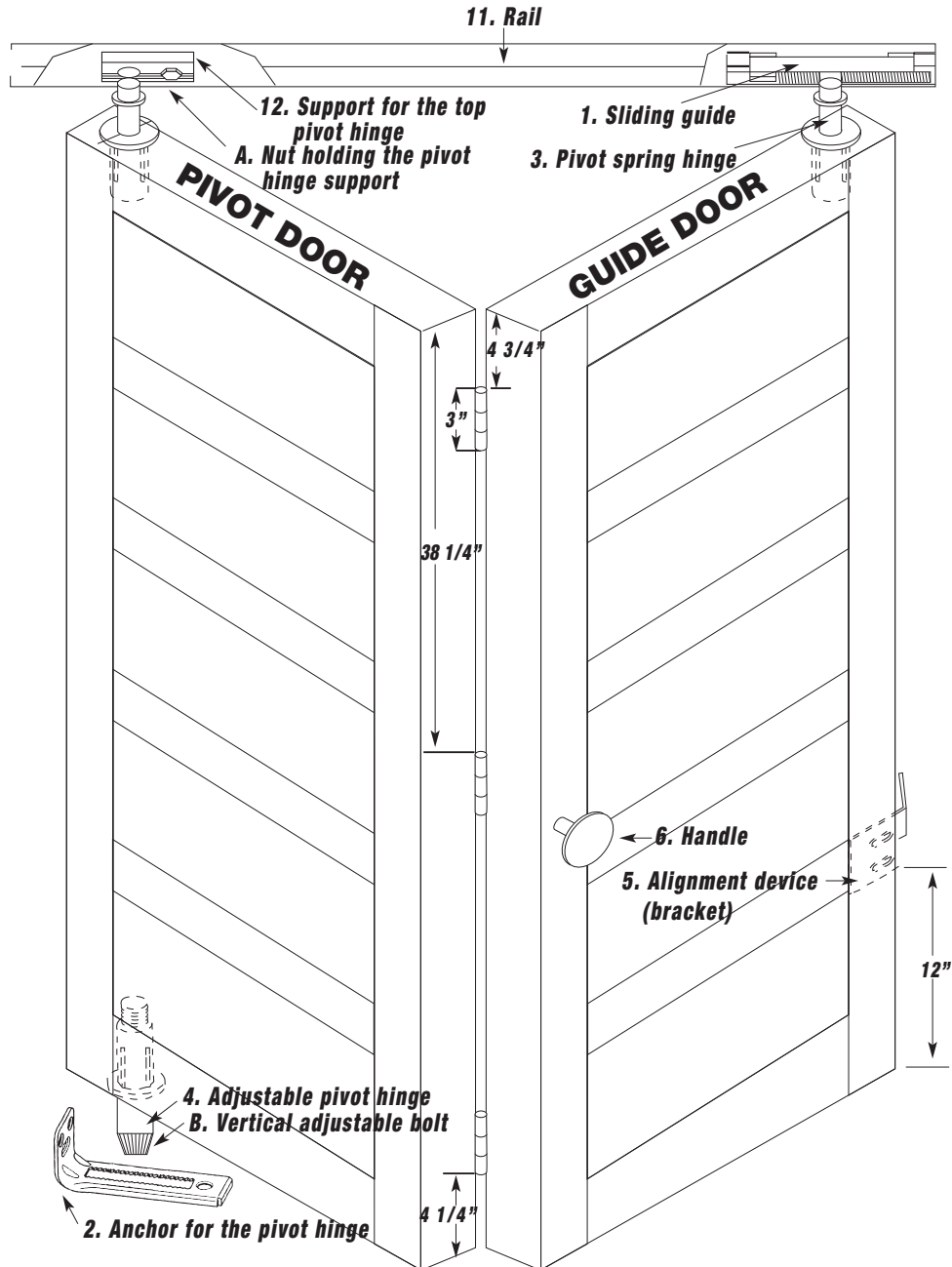
Installation of a Bifold Door

1 800.567.2931
T 819.535.5588
F 819.535.1104

M
Milette
portes·doors

www.portesmilette.com

FIGURE 1



Installation

Exterior Door

1 800.567.2931
T 819.535.5588
F 819.535.1104



www.portesmilette.com

Prior to installation, follow handling and care instructions for exterior doors.

Installation of an exterior door and its frame requires some specific knowledge. Improper installation or damage caused during installation may void warranty. It is strongly advised to consult professional advice. This installation requires two persons for weight and stability of door. Read all instructions prior to installation.

1. Clean, clear work area. The rough opening (R.O.) is ideally 1" wider and ½" taller than outside frame dimensions of door unit. Rough opening must be plumb, square and level. Sub-floor area has to be clean, dry and level.
2. Apply three ¼" lines of caulk along length of sub-floor, starting first line approximately 1" from inside edge. Lines should be 1" apart.
3. Remove all packaging materials such as nails, staples or straps.
4. Install unit into opening. Stand on inside of door and center door in opening. Tightly shim bottom corners of door unit, this will keep the door centered and frame tight against the sill. Start shimming top of door on latch side. Install and adjust shims until there is a consistent 1/8" gap between top of door slab and frame header.
5. Shim hinge side of frame at each hinge location, this will hold door tight in position in frame. Door should operate freely with nothing but shims holding it in place.
6. From outside, with door closed, ensure frame is a straight vertical plane (not twisted). To do this, verify that weather-stripping on latch side is evenly compressed along entire height of door slab without any pinching or gaps. Make adjustments if necessary. Ensure there is an even gap across top of door.
7. Replace two screws on each hinge with 3 1/2" screws (not supplied). Longer screws will penetrate studs better and strengthen frame, making it secure. It is important that screws be installed through shims to prevent distorting door frame. Shim all unsupported locations and test door occasionally as you perform these steps. Install screws under weather stripping through shims at lock strike locations. We recommend one screw above and below the latch as well as a screw at both the top and bottom of the jamb. We strongly recommend countersinking your screws to avoid damage to weather stripping.
8. Score shims with a utility knife and snap shims along scoreline. Trim excess with utility knife. Insulate cavity around top and sides of door between jamb and wall studs with a product of your choice.
9. Install interior and/or exterior mouldings (not supplied). Caulk all joints, trim and brickmould (not supplied), particularly along joints where brickmould meets exterior wall. Also caulk front sill edge where sill and sub-floor meet. Use paintable caulking or buy it a color that is in harmony with your decor.
10. Proceed with the installation of handle and lock (not supplied).