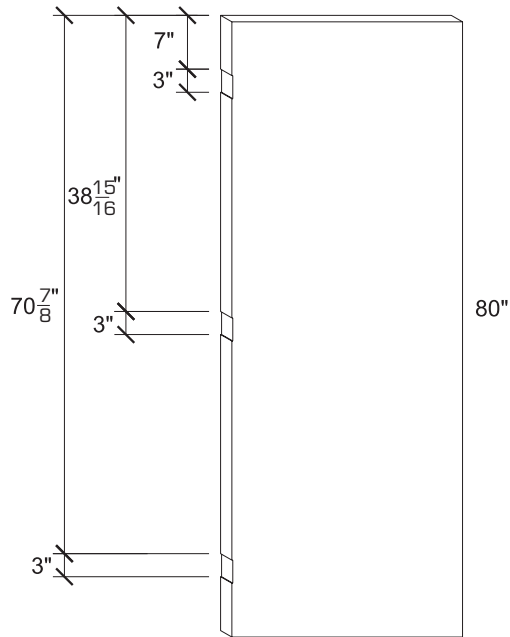


Specifications | Hinges and hole for Handle

Standard Premachining for Hinges

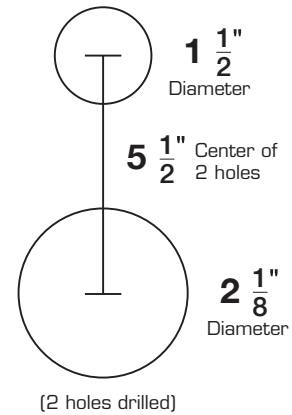


The location of the hinges varies according to the height. Take measurements from the top of the door.

Location according to height

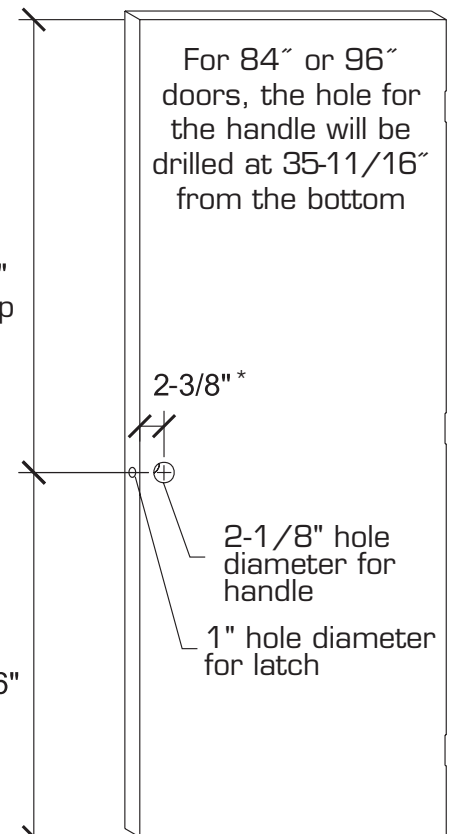
80" door	7"	38-15/16"	70-7/8"
84" door	7"	40-15/16"	74-7/8"
96" door	7"	46-15/16"	86-7/8"

Hole drilled for handle and dead bolt



Hole for Handle

44-5/16" from top



* 2-3/4" latch not available

Hinge

